



厦门飞玥电子有限公司

XIAMEN WEALTH ELECTRONICS CO.,LTD.

规格承认书

APPROVAL SHEET

CUSTOMER: _____

CUST.P/N: _____

FY.DESC: CD263 Series Product Specification

DATE : 2011/05/06

客户回签 FOR CUSTOMER APPROVAL	
批准 APPROVE	审核 CHECK
陈慧娟	潘国良

Kindly indicate company stamp & authorized signature on the specifications attached for approval.

客户用变更栏 FOR CUSTOMER MODIFICATION

地 址：厦门市思明区软件园二期望海路 57 号 502 室

ADD: Rm502, 5/F, 57, Wanghai Rd, Software Park Phase II, Xia Men

TEL: 0592-2216997

FAX: 0592-2217997

CD 263 Series

sunion

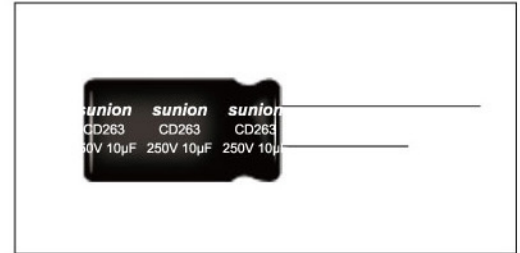


105°C 2000小时

2000h at 105°C

- 耐高温
- 105°C 标准品

- High Temperature
- Standard 105°C



项目 Item	特性 Characteristics																																													
使用温度范围(°C) Operating Temperature Range	-55~105°C	-40~105°C																																												
额定电压范围(V) Voltage Range	6.3~100V	160~450V																																												
标称电容量范围(µF) Capacitance Range	0.1~15000µF																																													
标称电容量允许偏差 Capacitance Tolerance(20°C, 120Hz)	±20%																																													
漏电流(µA) Leakage Current	6.3~100V $I \leq 0.01CV$ 或 3, 取较大者 (20°C, 2分钟) $I \leq 0.01CV$ or 3 whichever is greater (at 20°C, after 2 minutes)	160~450V $I \leq 0.03CV+20$, 取较大者 (20°C, 1分钟) $I \leq 0.03CV+20$ whichever is greater (at 20°C, after 1 minutes)																																												
	C: 标称电容量 (µF) V: 额定电压 (V) C: Nominal Capacitance (µF) V: Rated Voltage (V)																																													
损耗角正切值 (tg δ) Dissipation Factor(20°C, 120Hz)	<table border="1"> <thead> <tr> <th>额定电压 Rated Voltage (V)</th> <th>6.3</th> <th>10</th> <th>16</th> <th>25</th> <th>35</th> <th>50</th> <th>63</th> <th>100</th> <th>160</th> <th>200</th> <th>250</th> <th>350</th> <th>400</th> <th>450</th> </tr> </thead> <tbody> <tr> <td>损耗角正切值 Tan δ(max)</td> <td>0.22</td> <td>0.19</td> <td>0.16</td> <td>0.14</td> <td>0.12</td> <td>0.10</td> <td>0.09</td> <td>0.08</td> <td colspan="3">0.15</td> <td colspan="3">0.20</td> </tr> </tbody> </table>												额定电压 Rated Voltage (V)	6.3	10	16	25	35	50	63	100	160	200	250	350	400	450	损耗角正切值 Tan δ(max)	0.22	0.19	0.16	0.14	0.12	0.10	0.09	0.08	0.15			0.20						
	额定电压 Rated Voltage (V)	6.3	10	16	25	35	50	63	100	160	200	250	350	400	450																															
损耗角正切值 Tan δ(max)	0.22	0.19	0.16	0.14	0.12	0.10	0.09	0.08	0.15			0.20																																		
标称电容量大于1000µF者, 每增加1000µF, 其损耗角正切值增加0.02 When nominal capacitance is over 1000µF tan δ shall be added 0.02 to the listed value with increase of every 1000µF																																														
低温特性 Stability at Low Temperature (Impedance Ratio at 120Hz)	<table border="1"> <thead> <tr> <th>额定电压 Rated Voltage(V)</th> <th>6.3</th> <th>10</th> <th>16</th> <th>25~100</th> <th>160</th> <th>200</th> <th>250</th> <th>350</th> <th>400</th> <th>450</th> </tr> </thead> <tbody> <tr> <td>Z-25°C / Z +20°C</td> <td>4</td> <td>3</td> <td colspan="3">2</td> <td colspan="3">3</td> <td colspan="3"></td> </tr> <tr> <td>Z-40°C / Z +20°C</td> <td>8</td> <td>6</td> <td>4</td> <td colspan="3">3</td> <td colspan="2">8</td> <td colspan="2">6</td> </tr> </tbody> </table>												额定电压 Rated Voltage(V)	6.3	10	16	25~100	160	200	250	350	400	450	Z-25°C / Z +20°C	4	3	2			3						Z-40°C / Z +20°C	8	6	4	3			8		6	
	额定电压 Rated Voltage(V)	6.3	10	16	25~100	160	200	250	350	400	450																																			
	Z-25°C / Z +20°C	4	3	2			3																																							
Z-40°C / Z +20°C	8	6	4	3			8		6																																					
容量大于1000µF者, 每增加1000µF, Z-40°C/Z+20°C阻抗比增加1 1 is added to every 1000µF increase over 1000µF																																														

项目 Item	使用寿命 Useful Life		负载寿命 Load Life	耐久试验 Endurance Test	高温贮存 shelf Life
寿命 Lifetime	$\Phi \leq 8$: 2000h $\Phi \geq 10$: 3000h	$\Phi > 100000$ h	$\Phi \leq 8$: 1000h $\Phi \geq 10$: 2000h	2000h	1000h
漏电流 Leakage Current	≤ 初始规定值 Not more than specified value		≤ 初始规定值 Not more than specified value	≤ 初始规定值 Not more than specified value	≤ 初始规定值 Not more than specified value
容量变化率 Capacitance Change	初始值 ± 30% 以内 Within ± 30% of initial Value		初始值 ± 20% 以内 Within ± 20% of initial Value	初始值 ± 20% 以内 Within ± 20% of initial Value	初始值 ± 20% 以内 Within ± 20% of initial Value
损耗变化率 Dissipation Factor	≤ 初始规定值的3倍 Not more than 300% of specified value		≤ 初始规定值的2倍 Not more than 200% of specified value	≤ 初始规定值的1.5倍 Not more than 150% of specified value	≤ 初始规定值的2倍 Not more than 200% of specified value
使用条件 Condition:					
使用电压 APPLIED Voltage	U_R	U_R	U_R	U_R	$U_R=0$
使用电流 Applied Current	I_R	$1.4 \times I_R$	I_R	$I_R=0$	$I_R=0$
使用温度 APPLIED Temperature	105°C	40°C	105°C	105°C	105°C
失效率 Failure Rate Level	≤ 1%	≤ 1%	guaranteed (保证)		试验后: 恢复24小时施加 额定电压30分钟后 After test: UR to be applied for 30min > 24h before measurement



sunion

CD 263 Series

CD 263 系列

Ratings for CD 263 Series

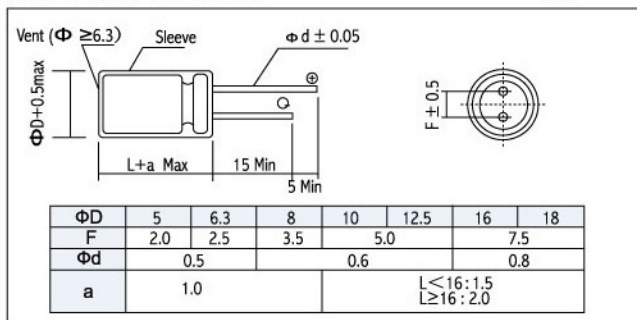
U _R (Surge Voltage) Code	Rated Capacitance	Max ESR 20°C 120HZ	Max Imp 20°C 100KHZ	Rated Ripple Current 105°C 100KHZ	Size Φ DXL
(V)	(μF)	(Ω)	(Ω)	(mArms)	(mm)
6.3 (7.2) OJ	33	8.8	2.5	105	5×11.5
	47	6.2	1.5	120	5×11.5
	100	2.9	1.2	130	5×11.5
	220	1.3	0.87	180	6.3×11.5
	330	0.9	0.58	220	6.3×11.5
	470	0.6	0.39	315	8×11.5
	1000	0.29	0.23	500	10×12.5
	2200	0.14	0.095	1000	10×20
	3300	0.105	0.09	1050	12.5×20
	4700	0.079	0.061	1670	12.5×25
	6800	0.062	0.056	1740	16×25
	10000	0.53	0.045	2110	16×31.5
	15000	0.044	0.036	2580	18×36
	10 (13) 1A	22	11.5	2.5	92
33		7.6	1.9	105	5×11.5
47		7.6	1.5	120	5×11.5
100		5.4	1.2	130	5×11.5
220		2.5	0.58	220	6.3×11.5
330		1.1	0.47	265	6.3×11.5
470		0.76	0.39	315	8×11.5
1000		0.25	0.18	615	10×12.5
2200		0.13	0.09	1050	10×20
3300		0.09	0.068	1300	12.5×20
4700		0.07	0.056	1740	12.5×25
6800		0.06	0.045	2110	16×25
10000		0.05	0.036	2580	18×31.5
16 (20) 1C		10	21.2	2.5	92
	22	9.7	1.9	105	5×11.5
	33	6.4	1.5	120	5×11.5
	47	4.5	1.2	130	5×11.5
	100	2.1	0.58	220	6.3×11.5
	220	0.97	0.47	290	6.3×11.5
	330	0.64	0.39	315	8×11.5
	470	0.45	0.23	500	8×11.5
	1000	0.21	0.12	825	10×16
	2200	0.11	0.068	1300	12.5×20
	3300	0.08	0.056	1740	12.5×25
	4700	0.06	0.045	2110	16×25
	6800	0.05	0.036	2580	18×31.5
	25 (32) 1E	4.7	39.5	3	85
10		18.6	2.5	92	5×11.5
22		8.4	1.9	105	5×11.5
33		5.6	1.5	120	5×11.5
47		4.0	1.2	130	5×11.5
100		1.9	0.58	220	6.3×11.5
220		0.84	0.39	315	8×11.5
330		0.56	0.23	500	10×12.5
470		0.40	0.18	615	10×12.5
1000		0.19	0.09	1050	10×20
2200		0.10	0.056	1740	12.5×25
3300		0.07	0.045	2110	16×25

U _R (Surge Voltage) Code	Rated Capacitance	Max ESR 20°C 120HZ	Max Imp 20°C 100KHZ	Rated Ripple Current 105°C 100KHZ	Size Φ DXL
(V)	(μF)	(Ω)	(Ω)	(mArms)	(mm)
35 (44) 1V	4700	0.06	0.036	2580	18×31.5
	4.7	33.9	2.5	92	5×11.5
	10	15.9	1.8	105	5×11.5
	22	7.2	1.5	120	5×11.5
	33	4.8	1.5	130	5×11.5
	47	3.4	0.58	220	5×11.5
	100	1.6	0.39	315	6.3×11.5
	220	0.72	0.23	500	10×12.5
	330	0.48	0.18	615	10×12.5
	470	0.34	0.12	825	10×16
	1000	0.16	0.068	1300	12.5×20
	2200	0.08	0.045	2110	16×25
	3300	0.06	0.036	2580	18×31.5
	0.1	1327	18	10	5×11.5
	0.22	603	13	15	5×11.5
	0.33	402	10	18	5×11.5
	0.47	282	7	23	5×11.5
	1	133	4.9	35	5×11.5
	2.2	60	4.2	53	5×11.5
	3.3	40	3.9	65	5×11.5
4.7	28	3.6	82	5×11.5	
10	13	2.7	100	5×11.5	
22	6	1.9	125	5×11.5	
33	4	1.1	195	6.3×11.5	
47	2.8	0.9	245	6.3×11.5	
100	1.3	0.5	385	8×11.5	
220	0.60	0.27	505	10×12.5	
330	0.40	0.18	675	10×16	
470	0.28	0.12	895	12.5×20	
1000	0.13	0.076	1495	12.5×25	
2200	0.07	0.05	2190	18×31.5	
4.7	25	5.8	74	5×11.5	
10	12	3.6	95	5×11.5	
22	5	2.1	130	5×11.5	
33	4	1.7	160	6.3×11.5	
47	2.5	1.2	305	8×11.5	
100	1.2	0.65	395	10×12.5	
220	0.54	0.32	505	10×16	
330	0.36	0.22	660	10×20	
470	0.25	0.16	850	12.5×20	
1000	0.12	0.098	1430	16×25	
0.47	226	13	30	5×11.5	
1	106	11	45	5×11.5	
2.2	48	9.2	60	5×11.5	
3.3	32	7.2	67	5×11.5	
4.7	23	6.3	75	5×11.5	
10	11	3.3	110	6.3×11.5	
22	5	1.4	165	6.3×11.5	
33	3.2	0.94	305	10×12.5	
47	2.3	0.68	320	10×12.5	
100	1.1	0.28	585	10×20	

RADIAL

外形图尺寸表 Dimensions

mm



频率系数 Frequency Coefficient

额定电压 Rated voltage(V)	容量 Cap(μF)	频率 Frequency	50Hz	120Hz	1KHz	10KHz	100KHz
6.3-100	0.1-4.7		0.32	0.4	0.7	0.8	1.0
	10-47		0.40	0.5	0.8	0.9	1.0
	100-220		0.56	0.7	0.9	0.9	1.0
	330-1000		0.64	0.8	0.9	1.0	1.0
	2200-15000		0.72	0.9	1.0	1.0	1.0
160-450	0.47-220		0.80	1.0	1.3	1.4	1.6

CD 263 Series

sunion



CD 263 系列

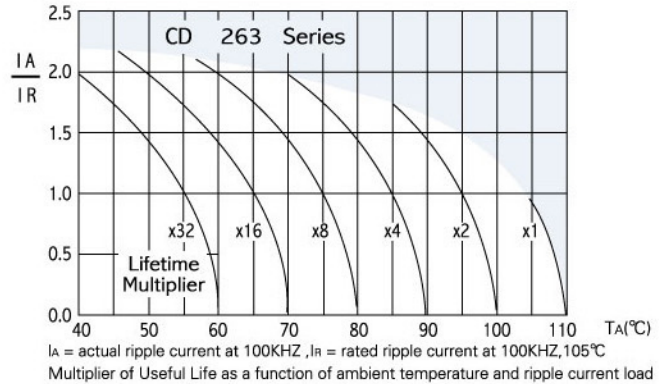
Ratings for CD 263 Series

U _R (Surge Voltage) Code (V)	Rated Capacitance (μF)	Max ESR 20°C, 120HZ (Ω)	Rated Ripple Current 105°C 120HZ (mA _{rms})	Size Φ DXL (mm)	
400 (450) 2G	220	0.16	1120	12.5×25	
	330	0.13	1290	12.5×25	
	470	0.11	1350	16×25	
160 (200) 2C	0.47	423	12	6.3×11.5	
	1	199	18	6.3×11.5	
	2.2	90.5	26	6.3×11.5	
	3.3	60.3	37	8×11.5	
	4.7	42.3	44	8×11.5	
	10	19.9	75	10×12.5	
	22	9.05	135	10×16	
	33	6.03	175	10×20	
	47	4.23	230	12.5×20	
	100	1.99	330	12.5×25	
	220	0.9	500	16×31.5	
	200 (250) 2D	0.47	423	12	6.3×11.5
1		199	18	6.3×11.5	
2.2		90	26	6.3×11.5	
3.3		60	37	8×11.5	
4.7		42	50	8×11.5	
10		20	80	10×12.5	
22		9	135	10×20	
33		6	190	12.5×20	
47		4	230	12.5×20	
100		2	360	16×25	
220		0.9	525	18×36	
250 (300) 2E		0.47	423	12	6.3×11.5
	1	199	18	6.3×11.5	
	2.2	90	30	6.3×11.5	
	3.3	60	43	8×11.5	
	4.7	42	50	8×11.5	
	10	20	90	10×16	
	22	9	155	12.5×20	
	33	6	190	12.5×20	
	47	4	225	12.5×25	
	100	2	340	16×31.5	
	315 (350) 2F	0.47	565	11	6.3×11.5
		1	265	16	6.3×11.5
2.2		121	27	8×11.5	
3.3		80	36	10×12.5	
4.7		56	47	10×12.5	
10		27	75	10×20	
22		12	130	12.5×20	
33		8	160	12.5×25	
47		6	210	16×25	
100		3	335	18×36	
350 (400) 2V		0.47	565	11	6.3×11.5
		1	265	18	6.3×11.5
	2.2	121	30	8×11.5	
	3.3	80	36	10×12.5	
	4.7	56	47	10×12.5	
	10	27	79	10×20	
	22	12	130	12.5×25	
	33	8	160	16×25	
	47	6	210	16×31.5	
	100	3	335	18×36	
	400 (450) 2G	1	265	18	8×11.5
		2.2	265	30	8×11.5
3.3		121	40	10×12.5	
4.7		80	52	10×16	
10		56	79	12.5×20	
22		27	130	12.5×25	
33		12	175	16×25	
47		8	220	16×31.5	
68		4	520	18×31.5	
82		3	560	18×31.5	

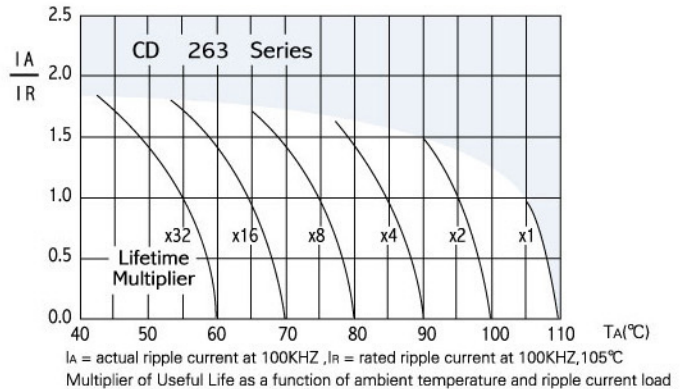
U _R (Surge Voltage) Code (V)	Rated Capacitance (μF)	Max ESR 20°C, 120HZ (Ω)	Rated Ripple Current 85°C 120HZ (mA _{rms})	Size Φ DXL (mm)
400 (450) 2G	100	3	640	18×36
	120	3	680	18×36
	150	2	750	18×40
450 (500) 2W	1	265	19	8×11.5
	2.2	121	29	10×12.5
	3.3	80	35	10×16
	4.7	56	50	10×16
	10	27	75	12.5×20
	22	12	110	16×25
	33	8	150	16×31.5
	47	6	400	16×31.5
	68	4	490	18×31.5
	82	3	550	18×31.5
	100	3	650	18×36
	120	2	740	18*40
150	2	800	18*40	

寿命曲线 Lifetime Diagram

Lifetime Diagram 6.3 ~100V



Lifetime Diagram 160 ~ 450V



RADIAL